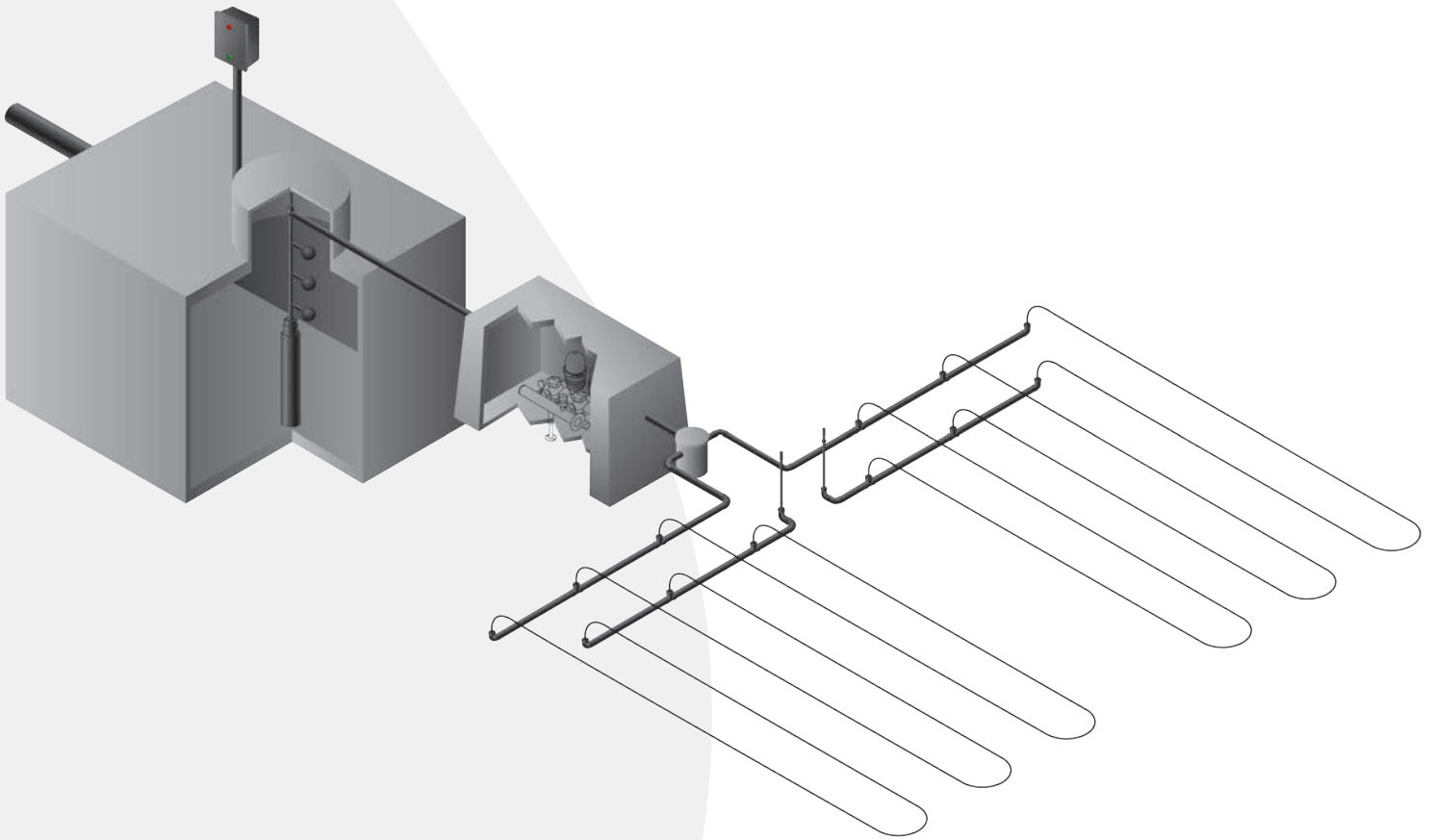




A wholly owned subsidiary of Infiltrator Water Technologies, LLC



DELTA TREATMENT SYSTEMS
ECODRIP SERIES
COMMERCIAL ENGINEERED
WASTEWATER DRIP DISPOSAL SYSTEM

DELTA TREATMENT SYSTEMS

Commercial Engineered Wastewater Drip Disposal System

Complete Engineered Drip Disposal Systems.

Design, layouts, controls, filter systems, and all necessary components



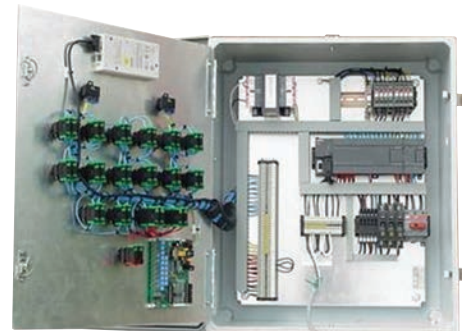
Models Up To 100,000 GPD

Engineered package includes: Drip Series CP 12000 filter controller, float level switches, filter assembly, high head pumps, zone valves, emitter tubing, pressure regulators, vacuum/air release valves, and emitter tube fittings.

Filter System Controls

The CP 12000 series control panel utilizes a programmable logic controller (PLC) to automate all functions in a NEMA 4X hinged door enclosure. The PLC provides:

- Optional filter/field drain feature
- Multiple power
- Multiple zone capability circuits compatibility
- Adjustable override dosing times
- Override counter
- Accepts 2, 3 or 4 float arrangements
- High level counter
- Simplex and duplex
- Switch to hand counter



All features are field adjustable without the need of additional equipment.

Features can be added when needed.

Filter Assembly

The filter assembly provides:

- 100 micron filtration
- Effluent metering
- Filter and field flush valves



The disc filter ensures both long life and easy maintenance. The effluent meter provides monitoring of system flow. Remote control valves are located in the filter assembly, thus providing access for installation and maintenance. The filter assembly is constructed of components that have been selected specifically for effluent wastewater applications.

The Intelligent Choice in Drip Technology



Submersible High Head Pumps

To meet the demanding requirements of drip disposal, stainless steel effluent wastewater high head pumps are provided. These pumps have precision molded impellers in diffuser stages fitted with stainless wear rings. The pumps have a nylon discharge head and a polyethylene intake screen specifically for effluent wastewater applications.

Zone Valves

Zone valves allow multiple drip zones per system.



Vacuum /Air Release Valves

Prevents air locks and back siphoning throughout the drip system.

Drip Emitter Tubing

In either non-pressure or pressure compensating emitters and designed for effluent wastewater applications, flow rates are available from .53 to 1.3 gallons per hour.



Tube Fittings and Components

All components needed to construct a drip disposal system are available.



Pressure Regulators

Pressure regulators can be provided to maintain correct operating pressure in the drip emitter tube.

Other Delta Treatment Systems Products

A respected leader in wastewater treatment with decades of technical design and manufacturing experience, DELTA TREATMENT SYSTEMS is committed to the continuing development of new products in the 21st century.

WHITEWATER®
DF SERIES

CONTROL SERIES

Distributor Network

Pod Series Advanced Wastewater Treatment Systems and accessories are sold, installed and serviced by certified distributors who are fully trained to provide all necessary components and to ensure professional installation.

ECOPOD SERIES



9125 Comar Drive, Walker, LA 70785, 1 (800) 219-9183 | WWW.DELTATREATMENT.COM

Because we are continuously improving our products and services, Delta Treatment Systems reserves the right to change specifications without prior notice.
DLE-036 04/2018 © 2018 Delta Treatment Systems, LLC. All Rights Reserved.