



INFILTRATOR
water technologies

ECOPOD-NX
Series

80% Total
Nitrogen
Reduction



Certified to NSF/ANSI 40 and 245

**ECOPOD-NX[®] in INFILTRATOR TANKS
NSF/ANSI 40 AND 245 CERTIFIED
RESIDENTIAL WASTEWATER
TREATMENT SYSTEM**

www.infiltratorwater.com

NSF/ANSI 40 AND 245 Residential Wastewater Treatment System

ECOPOD-NX® Advanced Wastewater Treatment In the Infiltrator Tank

The ECOPOD-NX is a recirculating moving bed bioreactor (MBBR) designed to treat residential wastewater. It utilizes fully submerged media and an air lift to facilitate recirculation of nitrified effluent that promotes greater denitrification.

Parameter	Treatment Results
CBOD ₅	7 mg/l
Total Suspended Solids	7 mg/l
Total Nitrogen	8 mg/L, 80% Reduction

ECOPOD-NX directly contributes to a cleaner, safer environment using the bacteria nature provides. As a result of air being pumped into the system, the bacteria grow and thrive in much greater numbers than would occur naturally. This optimum population of bacteria accelerates the process of breaking down the effluent, making it safe for release into the environment.

ECOPOD-NX significantly reduces CBOD₅, TSS, and nitrogen in the wastewater.

ECOPOD-NX series uses an enhanced fixed film treatment process which is characteristically stable and reliable. Fixed film is a preferred treatment process for wastewater treatment systems.

ECOPOD-NX Available Offering in Infiltrator Tanks

ECOPOD-NX units are manufactured to specifications according to wastewater flow requirements. The following models are available:

- Model E50-NX1060 for the 2-tank configuration
- Model E50-NX1530 for the 1-tank configuration

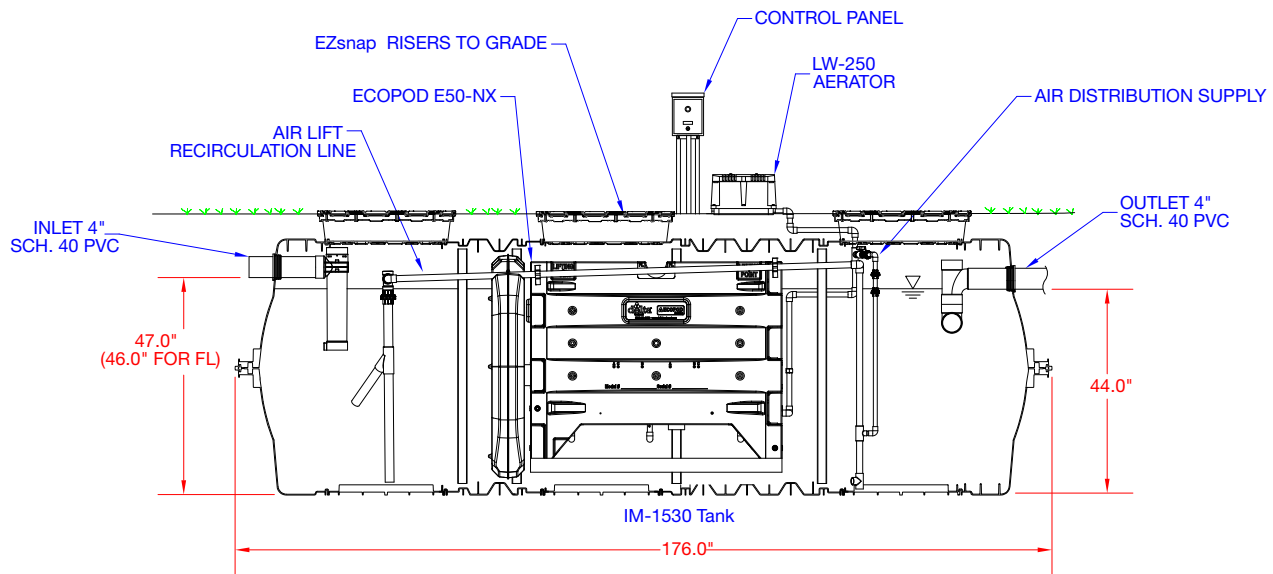


More Robust Treatment with Moving Bed Media



ECOPOD-NX IN INFILTRATOR TANKS

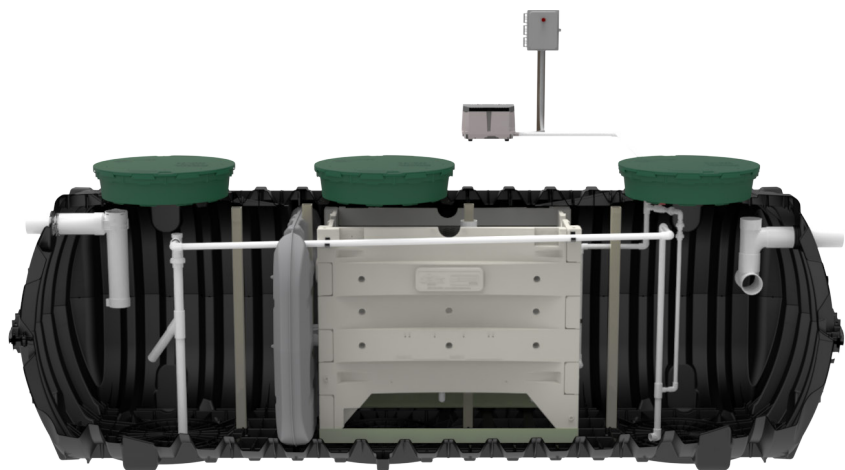
A Simple, Easy-to-Install Onsite Wastewater Treatment System



Why Use the ECOPOD-NX Advanced Wastewater Treatment System?

- The moving bed bioreactor (MBBR) process provides a robust solution suitable for continuous or intermittent use
- Engineered solution with both NSF/ANSI 40 and NSF/ANSI 245 certifications
- Flexible and easy installations in Infiltrator tanks
- With no mechanical parts internal to the unit, the ECOPOD-NX is easy to maintain
- Designed specifically to minimize sludge production for lower long-term maintenance
- Low life cycle costs resulting from efficient design with minimal maintenance requirements
- Patented non-clogging air delivery system
- Support through a dedicated team of engineers who act like an extension of your own team

Design Components Product Specifications	
Shown is the ECOPOD E50-NX in Infiltrator Tank	
Treatment Capacity	500 GPD
Electrical Requirement	115 V/1 phase/60 A



Other Advanced Treatment Systems Products

A respected leader in wastewater treatment with decades of technical design and manufacturing experience, Infiltrator Water Technologies is committed to the continuing development of new products in the 21st century.



Distributor Network

ECOPOD-NX[®] Series Advanced Wastewater Treatment Systems and accessories are sold, installed and serviced by authorized distributors who are fully trained to provide all necessary components and to ensure professional installation.



4 Business Park Road
P.O. Box 768
Old Saybrook, CT 06475
860-577-7000 • Fax 860-577-7001
(800) 221-4436
www.infiltratorwater.com
info@infiltratorwater.com

For U.S. Patents information visit www.infiltratorwater.com/patents. Other patents pending. Infiltrator, Quick4 and EZflow are registered trademarks of Infiltrator Water Technologies. Infiltrator Water Technologies is a wholly-owned subsidiary of Advanced Drainage Systems, Inc. (ADS).

© 2024 Infiltrator Water Technologies, LLC. Not responsible for any typographic errors. Printed in U.S.A.